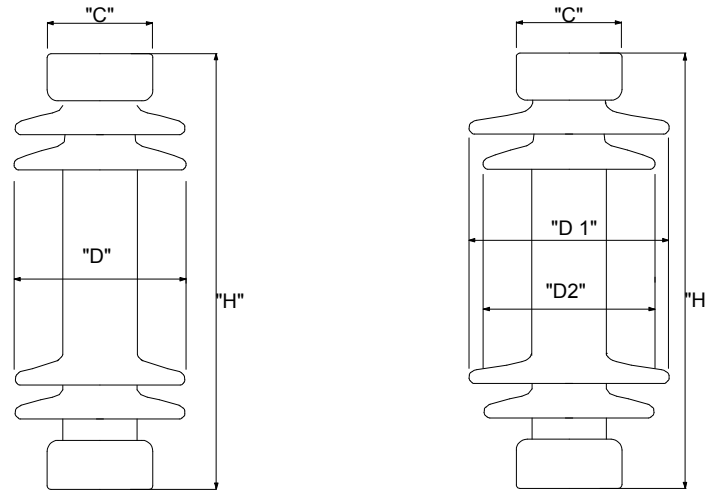


ANSI CLASS STATION POST INSULATOR
[TR SERIES]



STANDARD TECHNICAL CHARACTERISTICS

Cat. No.		0701550-01	0701550-02	0701550-03
ANSI Class		286	287	-
Basic Impulse Insulation Level (KV)		550	550	550
Usual Line Voltage (KV)		115	115	115
Leakage distance/in (mm)		99(2515)	99(2515)	125(3175)
Cantilever Strength/lb (KN)		1700(7.6)	2600(11.6)	1700(7.6)
Tensile Strength/lb (KN)		20000(89)	25000(111.2)	20000(89)
Torsional Strength/in-lb (N.m)		40000 (177.9)	90000(400.3)	40000(177.9)
Compression Strength /lb (KN)		60000(266.9)	75000(333.6)	60000(266.9)
Critical Impulse Flashover Voltage, Positive (KV)		610	610	610
Withstand Voltage	Low Frequency, Wet/KV	230	230	230
	Impulse/KV	550	550	550
Radio-Influence Voltage Data	Test Voltage to ground/kV	73	73	73
	Maximum RIV at 1000 KHZ/μV	200	200	200
Height-“H”/in (mm)		45(1143)	45(1143)	45(1143)
Shed diameter/in (mm)		8-3/4(222)	8-7/8(225)	D1=9-1/4(235) D2=7-11/16(195)
Bolt circle diameter/in (mm)		5(127)	5(127)	5(127)
(4)Tapped holes, size/in		5/8-11	5/8-11	5/8-11
Cap diameter-“C”/in (mm)		6-1/4(159)	6-1/4(159)	6-1/4(159)
Net Weight/lb (kg)		142(63.2)	165(73.4)	154(68.5)

Notes: 1. These units are not furnished with mounting bolts. State size at the time of inquiry if mounting bolts are required.

2. Light gray, chocolate brown or semi-conducting glaze is available.