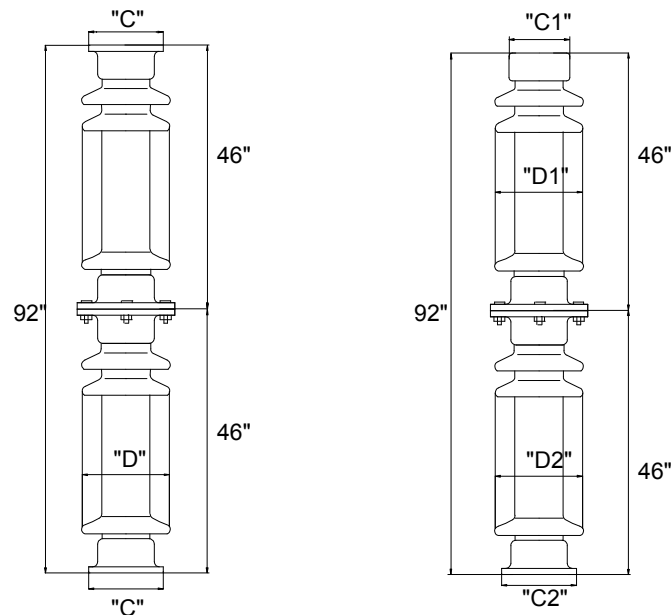


ANSI CLASS STATION POST INSULATOR

[TR SERIES]



STANDARD TECHNICAL CHARACTERISTICS

Cat. No.		07011050-01	07011050-02	07011050-03
ANSI Class		312	316	362
Basic Impulse Insulation Level (KV)		1050	1050	1050
Usual Line Voltage (KV)		230	230	230
Leakage distance/in (mm)		198(5029)	198(5029)	198(5029)
Cantilever Strength/lb (KN)		800(3.6)	1250(5.6)	2300(10.2)
Tensile Strength/lb (KN)		20000(89)	25000(111.2)	40000(177.9)
Torsional Strength/in-lb (N.m)		60000 (266.9)	90000(400.3)	20000(533.8)
Compression Strength /lb (KN)		40000(177.9)	75000(333.6)	100000(444.8)
Critical Impulse Flashover Voltage, Positive (KV)		1210	1210	1210
Withstand Voltage	Low Frequency, Wet/KV	455	455	455
	Impulse/KV	1050	1050	1050
Radio-Influence Voltage Data	Test Voltage to ground/kV	146	146	146
	Maximum RIV at 1000 KHZ/ μ V	500	500	500
Shed diameter/in (mm)		9-7/8(251)	10-1/2(267)	10-7/8(276)
Bolt circle diameter/in (mm)		5(127)	5(127)	7(178)
(4)Tapped holes, size/in		5/8-11	5/8-11	3/4-11
Cap diameter-"C"/in (mm)		6-1/4(159)	6-1/4(159)	8-3/8(293)
Net Weight/lb (kg)		265(117.9)	341(151.7)	424(188.6)

Notes: 1. These units are not furnished with mounting bolts. State size at the time of inquiry if mounting bolts are required.

2. Light gray, chocolate brown or semi-conducting glaze is available.