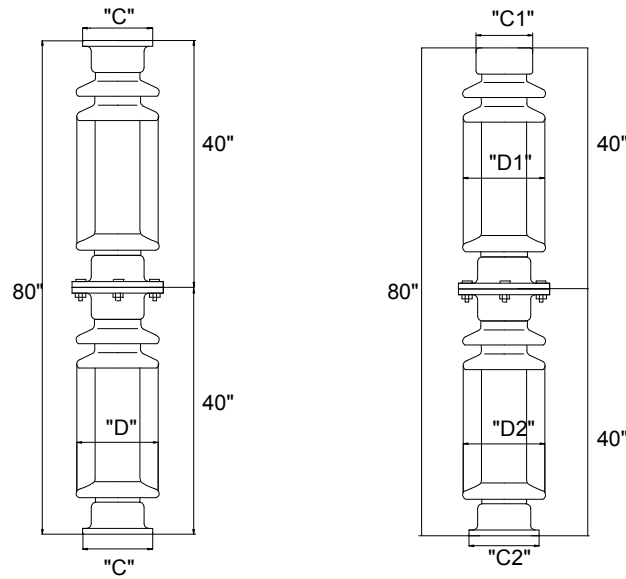


ANSI CLASS STATION POST INSULATOR  
[TR SERIES]



**STANDARD TECHNICAL CHARACTERISTICS**

Cat. No.	0701900-01	0701900-02	0701900-03
ANSI Class	304	308	308
Basic Impulse Insulation Level (KV)	900	900	900
Usual Line Voltage (KV)	230	230	230
Leakage distance/in (mm)	165(4191)	165(4191)	165(4191)
Cantilever Strength/lb (KN)	950(4.2)	1450(6.4)	1450(6.4)
Tensile Strength/lb (KN)	20000(89)	25000(111.2)	25000(111.2)
Torsional Strength/in-lb (N.m)	60000 (266.9)	90000(400.3)	90000(400.3)
Compression Strength /lb (KN)	60000(266.9)	90000(400.3)	75000(333.6)
Critical Impulse Flashover Voltage, Positive (KV)	1010	1010	1010
Withstand Voltage	Low Frequency, Wet/KV	385	385
	Impulse/KV	900	900
Radio-Influence Voltage Data	Test Voltage to ground/kV	146	146
	Maximum RIV at 1000 KHZ/ $\mu$ V	500	500
Shed diameter/in (mm)	9-1/2(241)	10-1/8(257)	D1=9-1/2(241) D2=10-1/8(257)
Bolt circle diameter/in (mm)	5(127)	5(127)	5(127)
(4)Tapped holes, size/in	5/8-11	5/8-11	5/8-11
Cap diameter-"C"/in (mm)	6-1/4(159)	6-1/4(159)	6-1/4(159)
Net Weight/lb (kg)	310(137.9)	375(166.8)	268(121.6)

Notes: 1. These units are not furnished with mounting bolts. State size at the time of inquiry if mounting bolts are required.

2. Light gray, chocolate brown or semi-conducting glaze is available.