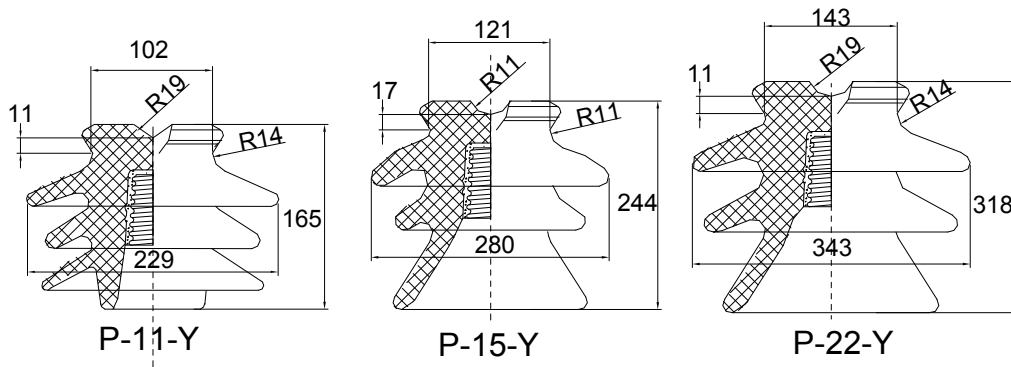


BS CLASS PIN TYPE INSULATOR



STANDARD TECHNICAL CHARACTERISTICS

Cat. No.		0402011		0402015		0402022	
ANSI Class		P-11-Y		P-15-Y		P-22-Y	
Insulator Type		Plain	Radio Freed	Plain	Radio Freed	Plain	Radio Freed
Recommended Nominal System Voltage/kV		11		15		22	
Total Creepage Distance/mm		254		298		432	
Protected Creepage Distance/mm		102		133		200	
Recommended Pin Height/mm		152		165		178	
Cantilever Strength/kN		11		11		11	
Minimum Flashover Voltage	Power-Frequency	Dry/kV	75	80	100		
		Wet/kV	50	55	60		
	50% Impulse	Positive/kV	115	130	160		
		Negative/kV	150	175	205		
Minimum Withstand Voltage	One-minute Power-Frequency	Dry/kV	65	70	90		
		Wet/kV	45	50	55		
	Impulse/kV	95	110	150			
Power-Frequency Puncture Voltage/kV		150		150		145	
Radio-Influence Voltage Data	Test Voltage to Ground/kV	15	15	15	15	22	22
	Maximum RIV at 1,000kHz/ μ V	8,000	100	8,000	100	12,000	100
Dimension of Pin Head		Small Steel Head			Large Steel Head		
Net Weight/kg		1.7		2.0		2.3	

NOTE:

1. Surfaces coated with semi-conductive glaze considered as effective creepage surfaces and the distance over them is included in the creepage distance.
2. RIV data are to be obtained by the test procedures prescribed in section 4.9 of ANSI C29.1