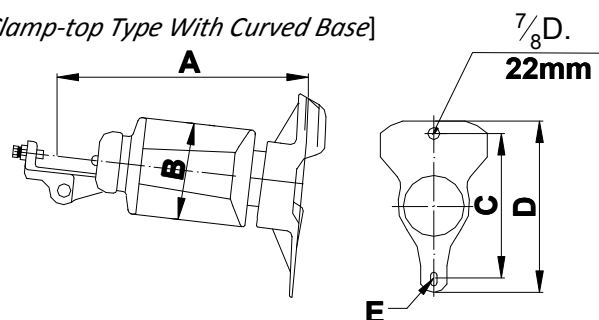


ANSI CLASS LINE POST INSULATOR (ANSI 57 SERIES)

[Horizontal Mounting Clamp-top Type With Curved Base]



STANDARD TECHNICAL CHARACTERISTICS

Cat. No.	0301020-02	0301025-03	0301035-03	0301045-03	0301055-03	0301066-03	0301088-03		
Usual line voltage/kV	20	25	35	45	55	66	88		
ANSI Class	-	57-31	57-32	57-33	57-34	57-35	57-36		
Height "A"/in(mm)	10-3/8 (264)	11-3/4 (298)	14-7/8 (378)	17-5/8 (448)	19-3/4 (502)	22-3/8 (568)	25 (635)		
Diameter "B"/in(mm)	5-1/2 (140)	5-3/4 (146)	6 (152)	6 (152)	6-3/4 (172)	6-3/4 (172)	7-1/4 (185)		
Length "C" /in(mm)	10 (254)	10 (254)	10 (254)	10 (254)	10 (254)	12 (305)	12 (305)		
Length "D" /in(mm)	12 (305)	12 (305)	12 (305)	12 (305)	12 (305)	14 (356)	14 (356)		
Slot Hole "E"/in(mm)	7/8x1-1/8 (22x29)	7/8x1-1/8 (22x29)	7/8x1-1/8 (22x29)	7/8x1-1/8 (22x29)	7/8x1-15/16 (22x24)	7/8x1-3/16 (22x30)	7/8x1-1/8 (22x29)		
Min. leakage distance/in(mm)	10(254)	14(356)	22(559)	29(737)	40(1015)	45(1145)	53(1345)		
Dry arcing distance/in(mm)	5 (127)	6-1/2 (165)	9-1/2 (241)	12-1/4 (311)	14-1/2 (368)	17-1/4 (438)	19-1/4 (489)		
Cantilever strength/lb(kN)	2800(12.5)	2800(12.5)	2800(12.5)	2800(12.5)	2800(12.5)	2800(12.5)	2800(12.5)		
Average flashover voltage	Low Frequency	Dry/kV	70	80	110	125	150	175	200
		Wet/kV	65	70	100	115	135	160	180
	Critical Impulse	Pos. /kV	100	130	180	210	255	290	330
		Neg. /kV	125	155	205	260	340	380	425
Withstand voltage	Low frequency	Dry/kV	55	60	90	100	120	140	160
		Wet/kV	50	55	80	90	110	130	145
	Impulse/kV	80	110	150	170	200	235	250	
Radio influence voltage data	Test voltage/kV	15	15	22	30	44	44	44	
	Max. RIV at 1,000kHz/uV	50	100	100	200	200	200	200	
Net weight/lb(kg)	18(8.2)	20(9.1)	26(11.8)	32(14.6)	42(19.1)	54(24.5)	61(27.7)		