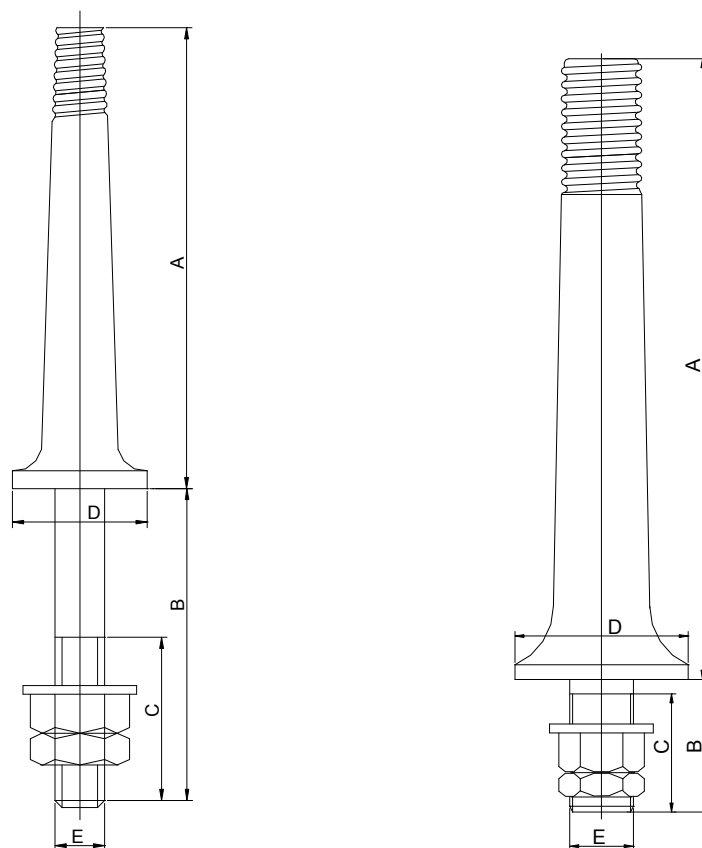


PINS FOR PIN INSULATORS

[Hot Dip Galvanized with BS Steel Head]



STANDARD TECHNICAL CHARACTERISTICS

Type of Crossarm	Fig. No.	Cat.No.	Type of Pin-Head	Dimensions (mm)					Weight Kg/pcs
				A	B	C	D	E	
Steel Crossarm	1	GJG-01	SS	115	140	75	32	18	0.70
	1	GJG-02	SS	165	140	75	38	18	1.20
	1	GJG-03	SS	230	140	75	40	22	1.25
	1	GJG-04	LS	165	140	75	44	18	0.88
	1	GJG-05	LS	230	140	75	50	22	1.20
	1	GJG-06	LS	305	140	75	63	22	1.80
Wood Crossarm	2	GJG-11	SS	115	50	45	32	18	0.58
	2	GJG-12	SS	165	50	45	38	18	0.74
	2	GJG-13	SS	230	50	45	40	22	1.00
	2	GJG-14	LS	165	50	45	44	18	0.60
	2	GJG-15	LS	230	50	45	50	22	0.85
	2	GJG-16	LS	305	50	45	63	22	1.10